

## Walkable Cable Tray

- Walkable Cable Tray
- Covers
- Barrier Strips
- Fittings
- Accessories



All straight sections of cable tray as well as their corresponding system components (fittings, splice plates, covers, ...) are classified by UL in accordance with NEMA VE 1 for the USA and CSA E22.2 No. 126.1 for Canada. Please add an 'X' after the first sequence of characters in the part number to get your products labeled for UL conformity (f.e. RLV 60.200 becomes RLVX 60.200 or GRS 110.300 becomes GR SX 110.300).



Niedax walkable cable tray was developed together with and especially for the automotive industry. Based on Niedax experience in manufacturing cable tray a special heavy duty version, that could be used as a walkway, was created. Different kinds of covers, ex. with aluminum checker plates are available. Flexible horizontal fittings allow an easy installation in between all kinds of production machinery like welding robots.



# WALKABLE CABLE TRAY SYSTEM

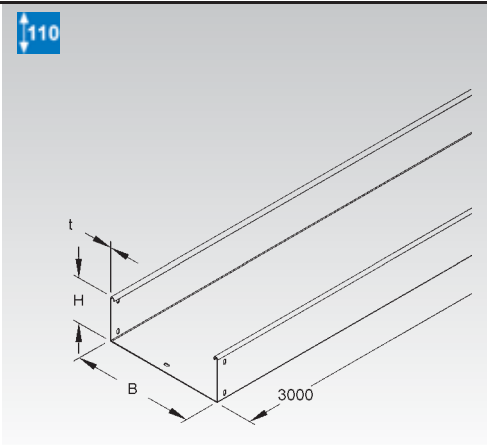
## Heavy Duty Cable Tray

solid, splice plate not included

model no.	height (H) mm/Inch	width B mm/Inch	thick-ness (t) mm/Inch	EAN code	Weight per 100 m kg
S RSUS 110.100OV	110/4,3	100/3,9	2	861606	530
S RSUS 110.200OV	110/4,3	200/7,8	2	861620	686
S RSUS 110.300OV	110/4,3	300/11,7	2	861644	843
S RSUS 110.400OV	110/4,3	400/15,6	2	861668	1000
S RSUS 110.500OV	110/4,3	500/19,5	2	861675	1157
S RSUS 110.600OV	110/4,3	600/23,4	2	861699	1314

with perforation for splices at both ends and roll formed return flanges.

Splice plates have to ordered separately.



## Heavy Duty Cable Tray

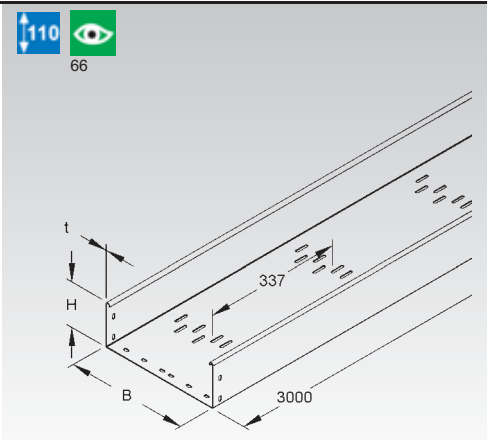
splice plates not included

model no.	height (H) mm/Inch	width B mm/Inch	thick-ness (t) mm/Inch	EAN code	Weight per 100 m kg
S RSQSL110.100OV	110/4,3	100/3,9	2	861804	523,3
S RSQSL110.200OV	110/4,3	200/7,8	2	861828	675
S RSQSL110.300OV	110/4,3	300/11,7	2	861842	827,3
S RSQSL110.400OV	110/4,3	400/15,6	2	861866	980,3
S RSQSL110.500OV	110/4,3	500/19,5	2	861873	1131,7
S RSQSL110.600OV	110/4,3	600/23,4	2	861897	1286

with perforation for splices at both ends and roll formed return flanges.

Special perforation in the bottom, splice plates not included

Splice plates have to ordered separately.



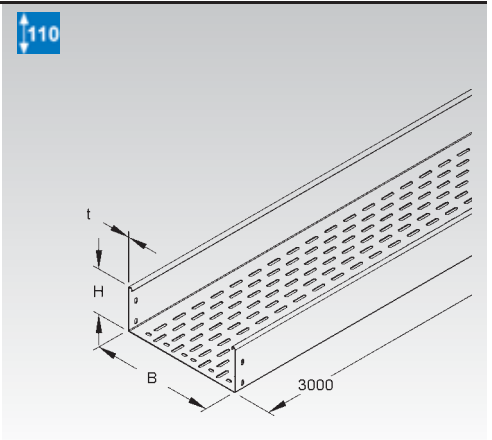
## Heavy Duty Cable Tray

ventilated, splice plate not included

model no.	height (H) mm/Inch	width B mm/Inch	thick-ness (t) mm/Inch	EAN code	Weight per 100 m kg
S RSBS 110.100OV	110/4,3	100/3,9	2	861705	506,7
S RSBS 110.200OV	110/4,3	200/7,8	2	861729	641,7
S RSBS 110.300OV	110/4,3	300/11,7	2	861743	777,3
S RSBS 110.400OV	110/4,3	400/15,6	2	861767	912
S RSBS 110.500OV	110/4,3	500/19,5	2	861774	1047,3
S RSBS 110.600OV	110/4,3	600/23,4	2	861798	394,1

bottom plate perforated with staggered punch holes 7x33 mm, solid side rails with return flange, perforated for splices

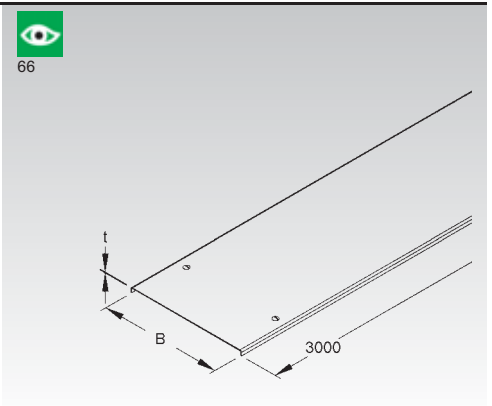
Splice plates have to ordered separately.



## Cover for Cable Tray

with reinforced turn-bolt lock

model no.	width B mm/Inch	thick-ness (t) mm/Inch	EAN code	Weight per 100 m kg
S RDVS 100	105/4,1	2	855605	198
S RDVS 200	205/8	2	855629	351,7
S RDVS 300	305/11,9	2	855643	508,7
S RDVS 400	405/15,8	2	855667	665,7
S RDVS 500	505/19,7	2	855681	822,7
S RDVS 600	605/23,6	2	855704	979,7

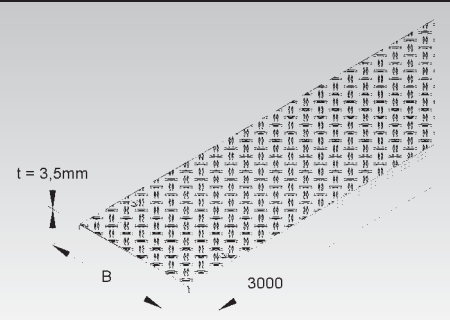


### Cover for Cable Tray

with reinforced turn-bolt lock and complete light checker blade support plate

model no.	width B mm/Inch	thick-ness (t) mm/Inch	EAN code	Weight per 100 m kg
S RDVSRSL 100	105/4,1	3,5	917464	246
S RDVSRSL 200	205/8	3,5	917488	448
S RDVSRSL 300	305/11,9	3,5	917501	654
S RDVSRSL 400	405/15,8	3,5	917525	859
S RDVSRSL 500	505/19,7	3,5	917549	1065
S RDVSRSL 600	605/23,6	3,5	917563	1270

Covers are made up of a 2 mm of steel panel and a 1.5 mm aluminum checker blade.  
Other slip-resistant coatings available on request.

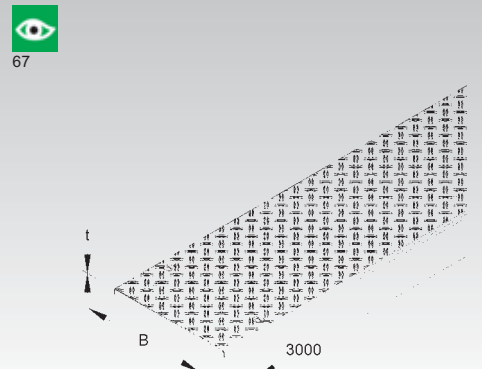


### Cover for Cable Tray

with reinforced turn-bolt lock and complete heavy-duty checker blade support plate

model no.	width B mm/Inch	thick-ness (t) mm/Inch	EAN code	Weight per 100 m kg
S RDVSRSL 100	105/4,1	4,5	862108	269
S RDVSRSL 200	205/8	4,5	862122	494,3
S RDVSRSL 300	305/11,9	4,5	862146	723,3
S RDVSRSL 400	405/15,8	4,5	862160	951,7
S RDVSRSL 500	505/19,7	4,5	862177	1180
S RDVSRSL 600	605/23,6	4,5	862191	1408,7

Covers are made up of a 2 mm of steel panel and a 2.5 mm aluminum checker blade.  
Other slip-resistant coatings available on request.

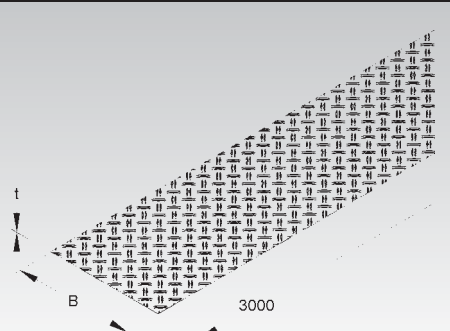


### Heavy Duty Aluminum Checker Plate

checker blade without any perforation

model no.	width B mm/Inch	thick-ness (t) mm/Inch	EAN code	Weight per 100 m kg
AL RRA 100-2.5ALO	100/3,9	2,5	862306	71
AL RRA 200-2.5ALO	200/7,8	2,5	862320	143
AL RRA 300-2.5ALO	300/11,7	2,5	862344	215
AL RRA 400-2.5ALO	400/15,6	2,5	862368	286
AL RRA 500-2.5ALO	500/19,5	2,5	862375	358
AL RRA 600-2.5ALO	600/23,4	2,5	862399	429

for subsequent mounting of sheet steel covers

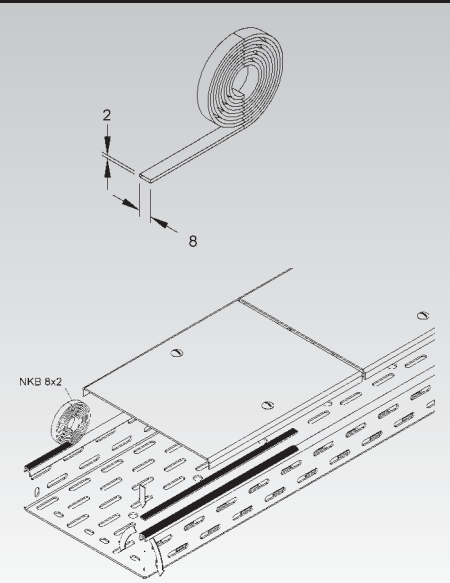


### Neoprene Adhesive Tape, black

self-adhesive

model no.	height (H) mm/Inch	width B mm/Inch	EAN code	Weight per 100 pc. kg
K07 NKB 8X2	2/0,1	8/0,3	872091	

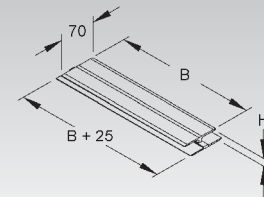
tape to the return flange to protect short pieces of covers from sliding off



# WALKABLE CABLE TRAY SYSTEM

## Joint for Walkable Cable Tray Covers

model no.	height (H) mm/Inch	width B mm/Inch	EAN code	Weight per 100 pc. kg
AL DSBA 100	16/0,6	75/2,9	872008	8,4
AL DSBA 200	16/0,6	175/6,8	872022	19,6
AL DSBA 300	16/0,6	275/10,7	872046	30,8
AL DSBA 400	16/0,6	375/14,6	872053	42
AL DSBA 500	16/0,6	475/18,5	872060	53,2
AL DSBA 600	16/0,6	575/22,4	872084	64,4



## Turn-bolt Lock

reinforced version

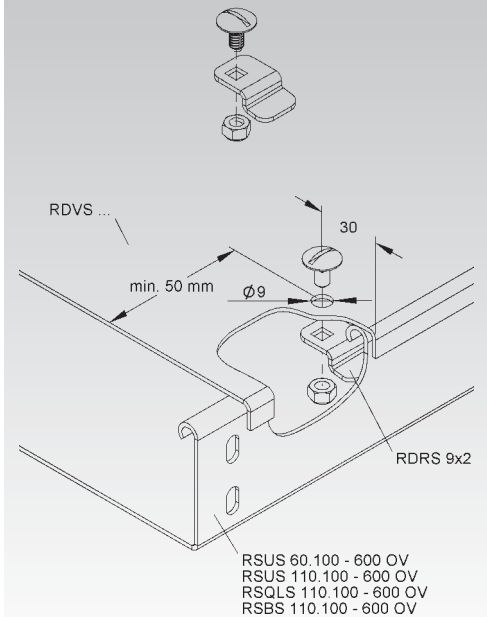
model no.	thick-ness (t) mm/Inch	EAN code	Weight per 100 pc. kg
S RDRS 9X2	2	269884	2,1

for subsequent or additional mounting to the cover

To be used for: cable tray cover, type RDVS..., RDVSRSL... and RDVSRs...

Outdoor usage requires additional securing against windloads etc. using ex. self tapping screws or steel cable ties.

Please maintain a minimum distance of 50 mm from both ends of the cover.  
delivered as a kit (not assembled)



## Barrier Strip

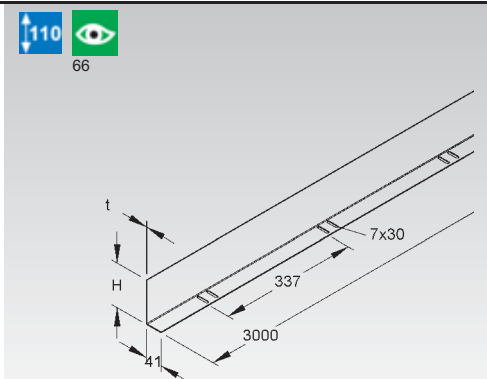
perforated angle iron

model no.	height (H) mm/Inch	thick-ness (t) mm/Inch	acc. incl.	EAN code	Weight per 100 m kg
S RWTS 110-1.0	108/4,2	1	4 FLM 6X12	861903	113,7
S RWTS 110-1.5	108/4,2	1,5	4 FLM 6X12	861934	170,3
S RWTS 110-2.0	108/4,2	2	4 FLM 6X12	861965	227,3

for a continuously variable division of width

Recommended number of barrier strips to support the walkable cover:

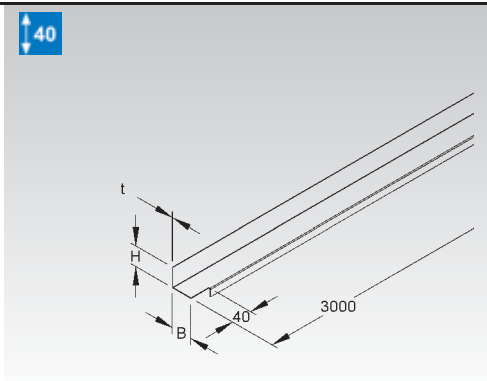
- width = 100 mm - 0 pieces
- width = 200 mm - 1 piece
- width = 300 mm - 1 piece
- width = 400 mm - 2 pieces
- width = 500 mm - 2 pieces
- width = 600 mm - 3 pieces



## Divider Profile

model no.	height (H) mm/Inch	width B mm/Inch	thick-ness (t) mm/Inch	EAN code	Weight per 100 m kg
S TP 40.45	40/1,6	45/1,8	1	861101	75

for making an extra run of cables along the side rail, ex. for phone or fibre cables



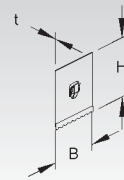
## Mounting Plate for Barrier Strip

self-locking

model no.	height (H) mm/Inch	width B mm/Inch	thickness (t) mm/Inch	EAN code	Weight per 100 pc. kg
<b>S</b> TPHRS 110	107/4,2	83/3,2	0,9	861156	6,1

To be used for: Divider Profile TP 40.45

110



## Universal Splice Plate

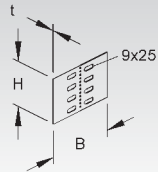
model no.	height (H) mm/Inch	width B mm/Inch	thickness (t) mm/Inch	acc. incl.	EAN code	Weight per 100 pc. kg
<b>S</b> RSUV 110-1.5	102/4	150/5,8	1,5	4 FLM 6X12	862009	16

for making horizontal and vertical joints for cable trays

110



66

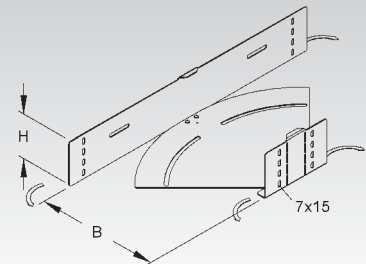


## Flexible Horizontal Elbow

model no.	height (H) mm/Inch	width B mm/Inch	thickness (t) mm/Inch	acc. incl.	EAN code	Weight per 100 pc. kg
<b>S</b> RBAVS 110.100	110/4,3	100/3,9	2	10 FLM 6X12	924042	120
<b>S</b> RBAVS 110.200	110/4,3	200/7,8	2	10 FLM 6X12	924066	190
<b>S</b> RBAVS 110.300	110/4,3	300/11,7	2	10 FLM 6X12	924080	290
<b>S</b> RBAVS 110.400	110/4,3	400/15,6	2	10 FLM 6X12	924103	400
<b>S</b> RBAVS 110.500	110/4,3	500/19,5	2	14 FLM 6X12	924127	550
<b>S</b> RBAVS 110.600	110/4,3	600/23,4	2	14 FLM 6X12	924141	720

horizontal splice, adjustable from 0° to 90°  
solid side rails, perforated for splices  
solid joint due to an overlapping bottom of fitting and cable tray

110



## Cover for Flexible Fitting

model no.	width B mm/Inch	thickness (t) mm/Inch	EAN code	Weight per 100 pc. kg
<b>S</b> RBAVDS 100	105/4,1	2	924165	170
<b>S</b> RBAVDS 200	205/8	2	924189	310
<b>S</b> RBAVDS 300	305/11,9	2	924202	510
<b>S</b> RBAVDS 400	405/15,8	2	924226	780
<b>S</b> RBAVDS 500	505/19,7	2	924240	1110
<b>S</b> RBAVDS 600	605/23,6	2	924264	1520

adjustable from 0 - 90°,

To be used for: flexible horizontal elbow RBAVS

Covers are attached by using stainless steel clamp RDHF 9 E2. For horizontal mounting only. Outdoor usage requires additional securing against windloads etc. using ex. self tapping screws or steel cable ties.

Please maintain a minimum distance of 50 mm from both ends of the cover.

4x RDHF 9 E2 cover clips required per cover. Please order separately.



7x15

7x15

7x15

7x15

7x15

7x15

7x15

7x15

7x15

7x15

7x15

7x15

7x15

7x15

7x15

7x15

7x15

7x15

7x15

7x15

7x15

7x15

7x15

7x15

7x15

7x15

7x15

7x15

7x15

7x15

7x15

7x15

7x15

7x15

7x15

# WALKABLE CABLE TRAY SYSTEM

## Cover for Flexible Fitting

with heavy-duty aluminium checker blade

	model no.	width B		thick-ness (t)	EAN code	Weight per 100 pc. kg
		mm	Inch			
S	RBAVDSRS 100	105	4,1	4,5	925322	180
S	RBAVDSRS 200	205	8	4,5	925346	340
S	RBAVDSRS 300	305	11,9	4,5	925360	580
S	RBAVDSRS 400	405	15,8	4,5	925384	900
S	RBAVDSRS 500	505	19,7	4,5	925407	1310
S	RBAVDSRS 600	605	23,6	4,5	925421	1800

Covers are made up of a 2 mm of steel panel and a 2.5 mm aluminum checker blade.

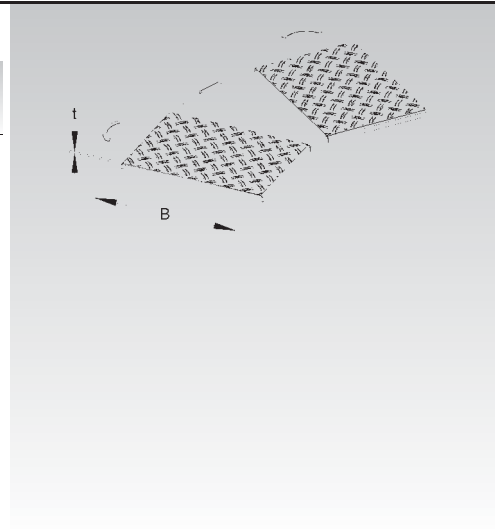
To be used for: flexible horizontal elbow RBAVS

Covers are attached by using stainless steel clamp RDHF 9 E2. For horizontal mounting only. Outdoor usage requires additional securing against windloads etc. using ex. self tapping screws or steel cable ties.

Please maintain a minimum distance of 50 mm from both ends of the cover.

4x RDHF 9 E2 cover clips required per cover. Please order separately.

Other slip-resistant coatings available on request.



## Cover Clamp

	model no.	EAN code	Weight per 100 pc. kg
★	F9 RDHFS 9 F9	926282	

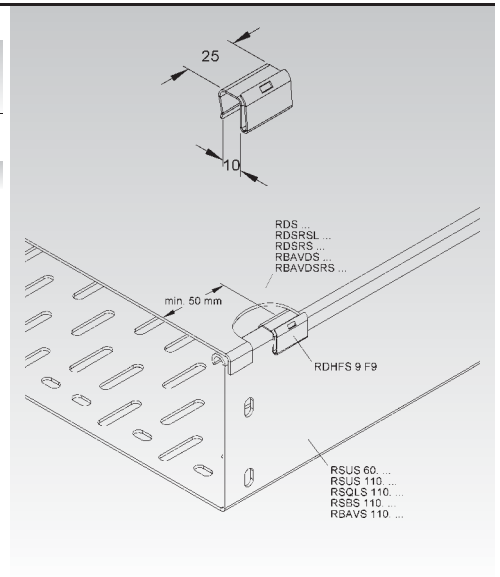
for fixing covers on flexible cable tray fittings

To be used for: Cable Tray Fitting Cover RDS..., RDVS..., RDSRSL..., RDVSRSL..., RDSRS..., RDVSR..., RBAVDS... und RBAVDSRS...

Covers are attached by using stainless steel clamp RDHF 9 E2. For horizontal mounting only.

Please maintain a minimum distance of 50 mm from both ends of the cover.

Outdoor usage requires additional securing against windloads etc.

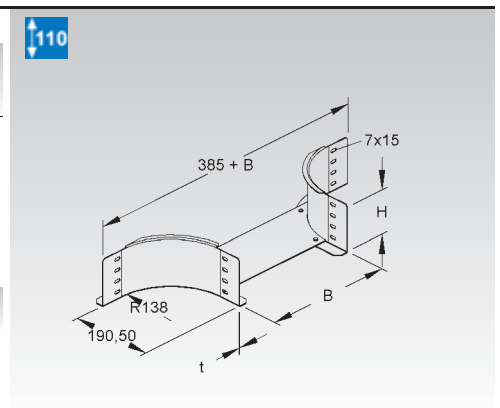


## Extension Horizontal Tee

	model no.	height (H)		width B	thick-ness (t)	acc. incl.	EAN code	Weight per 100 pc. kg	
		mm	Inch						
S	RTAS 110.100	110	4,3	100	3,9	2	10 FLM 6X12	862801	184
S	RTAS 110.200	110	4,3	200	7,8	2	10 FLM 6X12	862825	207
S	RTAS 110.300	110	4,3	300	11,7	2	10 FLM 6X12	862849	231
S	RTAS 110.400	110	4,3	400	15,6	2	10 FLM 6X12	862856	255
S	RTAS 110.500	110	4,3	500	19,5	2	10 FLM 6X12	862863	279
S	RTAS 110.600	110	4,3	600	23,4	2	10 FLM 6X12	862887	304

to make 90° horizontal Tee-fittings

solid side rails, perforated for splices, integrated splice plate

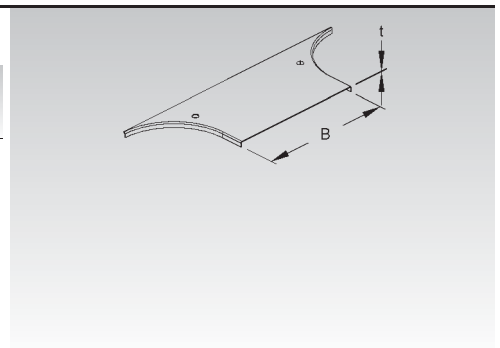


## Cover for Horizontal Extension Tee

with turnbolt locks

	model no.	width B		thick-ness (t)	EAN code	Weight per 100 pc. kg
		mm	Inch			
S	RTADVS 100	105	4,1	2	863600	58
S	RTADVS 200	205	8	2	863624	88
S	RTADVS 300	305	11,9	2	863648	113
S	RTADVS 400	405	15,8	2	863655	134
S	RTADVS 500	505	19,7	2	863662	180
S	RTADVS 600	605	23,6	2	863686	192

To be used for: extension horizontal tee for cable trays, siderail height 110 mm, type RTAS



### Cover for Horizontal Extension Tee

with turnbolt locks and heavy duty aluminum checker plate riveted to the steel cover

model no.	width B mm/Inch	thick- ness (t) mm/Inch	EAN code	Weight per 100 pc. kg
S RTADVSRS 100	105/4,1	4,5	863808	106
S RTADVSRS 200	205/8	4,5	863822	132
S RTADVSRS 300	305/11,9	4,5	863846	196
S RTADVSRS 400	405/15,8	4,5	863853	218
S RTADVSRS 500	505/19,7	4,5	863860	295
S RTADVSRS 600	605/23,6	4,5	863884	334

Covers are made up of a 2 mm of steel panel and a 2.5 mm aluminum checker blade.

To be used for: extension horizontal tee for cable trays, siderail height 110 mm, type RTAS

Other slip-resistant coatings available on request.

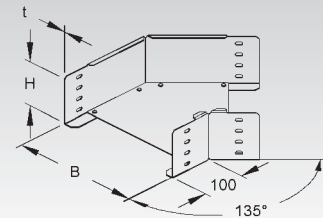


### Elbow 45°

model no.	height (H) mm/Inch	width B mm/Inch	thick- ness (t) mm/Inch	acc. incl.	EAN code	Weight per 100 pc. kg
S RBAS 110.100	110/4,3	100/3,9	2	4 FLM 6X12	862504	128
S RBAS 110.200	110/4,3	200/7,8	2	5 FLM 6X12	862528	186
S RBAS 110.300	110/4,3	300/11,7	2	5 FLM 6X12	862542	266
S RBAS 110.400	110/4,3	400/15,6	2	6 FLM 6X12	862566	354
S RBAS 110.500	110/4,3	500/19,5	2	6 FLM 6X12	862573	472
S RBAS 110.600	110/4,3	600/23,4	2	6 FLM 6X12	862597	690

to make a horizontal 45° elbow  
solid side rails, perforated for splices, integrated splice plate

110

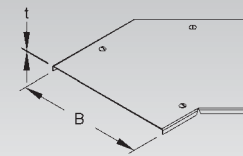


### Cover for 45° Elbow

with turnbolt locks

model no.	width B mm/Inch	thick- ness (t) mm/Inch	EAN code	Weight per 100 pc. kg
S RBADVS 100	105/4,1	2	863105	50
S RBADVS 200	205/8	2	863129	102
S RBADVS 300	305/11,9	2	863143	190
S RBADVS 400	405/15,8	2	863167	240
S RBADVS 500	505/19,7	2	863174	310
S RBADVS 600	605/23,6	2	863198	440

To be used for: cable ladder horizontal bends of 45 ° for siderail heights of 110 mm, type RBAS



### Cover for 45° Elbow

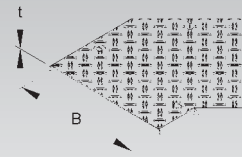
with turnbolt locks and heavy duty aluminum checker plate riveted to the steel cover

model no.	width B mm/Inch	thick- ness (t) mm/Inch	EAN code	Weight per 100 pc. kg
S RBADVSRS 100	105/4,1	4,5	863303	67
S RBADVSRS 200	205/8	4,5	863327	142
S RBADVSRS 300	305/11,9	4,5	863341	260
S RBADVSRS 400	405/15,8	4,5	863365	340
S RBADVSRS 500	505/19,7	4,5	863372	455
S RBADVSRS 600	605/23,6	4,5	863396	630

Covers are made up of a 2 mm of steel panel and a 2.5 mm aluminum checker blade.

To be used for: cable ladder horizontal bends of 45 ° for siderail heights of 110 mm, type RBAS

Other slip-resistant coatings available on request.



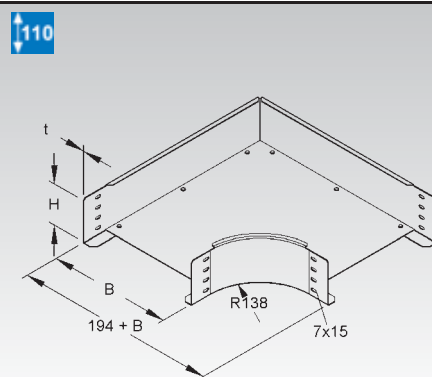


# WALKABLE CABLE TRAY SYSTEM

## Elbow 90°

model no.	height (H) mm/Inch	width B mm/Inch	thick-ness (t) mm/Inch	acc. incl.	EAN code	Weight per 100 pc. kg
S RESS 110.100	110/4,3	100/3,9	2	4 FLM 6X12	862702	246
S RESS 110.200	110/4,3	200/7,8	2	5 FLM 6X12	862726	390
S RESS 110.300	110/4,3	300/11,7	2	5 FLM 6X12	862740	580
S RESS 110.400	110/4,3	400/15,6	2	6 FLM 6X12	862764	768
S RESS 110.500	110/4,3	500/19,5	2	6 FLM 6X12	862771	1030
S RESS 110.600	110/4,3	600/23,4	2	6 FLM 6X12	862795	1381

to make 90° horizontal elbows  
solid side rails, perforated for splices, integrated splice plate

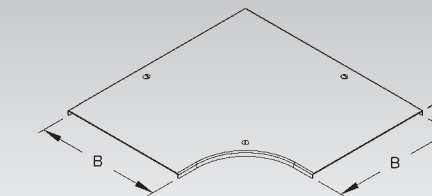


## Cover for 90° Elbow

with turnbolt locks

model no.	width B mm/Inch	thick-ness (t) mm/Inch	EAN code	Weight per 100 pc. kg
S RESDVS 100	105/4,1	2	863501	107
S RESDVS 200	205/8	2	863525	208
S RESDVS 300	305/11,9	2	863549	351
S RESDVS 400	405/15,8	2	863563	586
S RESDVS 500	505/19,7	2	863570	738
S RESDVS 600	605/23,6	2	863594	958

To be used for: cable ladder horizontal bends of 90° for siderail heights of 110 mm, type RESS



## Cover for 90° Elbow

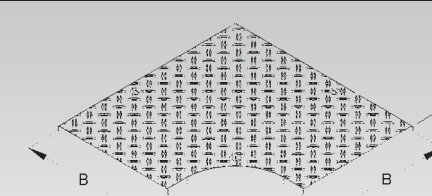
with turnbolt locks and heavy duty aluminum checker plate riveted to the steel cover

model no.	width B mm/Inch	thick-ness (t) mm/Inch	EAN code	Weight per 100 pc. kg
S RESDVRS 100	105/4,1	4,5	863709	152
S RESDVRS 200	205/8	4,5	863723	294
S RESDVRS 300	305/11,9	4,5	863747	493
S RESDVRS 400	405/15,8	4,5	863761	798
S RESDVRS 500	505/19,7	4,5	863778	1034
S RESDVRS 600	605/23,6	4,5	863792	1350

Covers are made up of a 2 mm of steel panel and a 2.5 mm aluminum chequer blade.

To be used for: cable ladder horizontal bends of 90° for siderail heights of 110 mm, type RESS

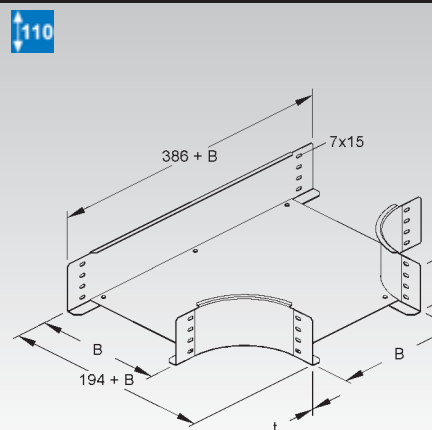
Other slip-resistant coatings available on request.



## Horizontal Tee

model no.	height (H) mm/Inch	width B mm/Inch	thick-ness (t) mm/Inch	acc. incl.	EAN code	Weight per 100 pc. kg
S RTSS 110.100	110/4,3	100/3,9	2	8 FLM 6X12	862900	327
S RTSS 110.200	110/4,3	200/7,8	2	8 FLM 6X12	862924	480
S RTSS 110.300	110/4,3	300/11,7	2	10 FLM 6X12	862948	648
S RTSS 110.400	110/4,3	400/15,6	2	12 FLM 6X12	862962	890
S RTSS 110.500	110/4,3	500/19,5	2	12 FLM 6X12	862979	1130
S RTSS 110.600	110/4,3	600/23,4	2	12 FLM 6X12	862993	1425

to make 90° horizontal Tee-fittings  
solid side rails, perforated for splices, integrated splice plate

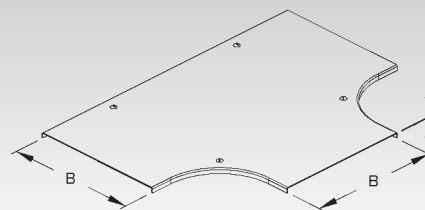


## Cover for Horizontal Tee

with turnbolt locks

	model no.	width B		thick-ness (t)	EAN code	Weight per 100 pc. kg
		mm/Inch	mm/Inch			
S	RTSDVS 100	105/4,1		2	863907	142
S	RTSDVS 200	205/8		2	863921	281
S	RTSDVS 300	305/11,9		2	863945	446
S	RTSDVS 400	405/15,8		2	863969	643
S	RTSDVS 500	505/19,7		2	863976	892
S	RTSDVS 600	605/23,6		2	863990	1136

To be used for: cable tray horizontal tee for siderail height of 110 mm, type RTSS...



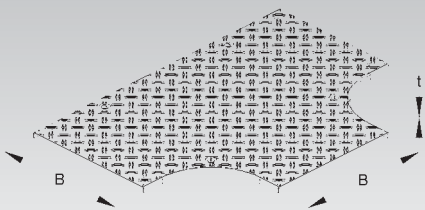
## Cover for Horizontal Tee

with turnbolt locks and heavy duty aluminum checker plate riveted to the steel cover

	model no.	width B		thick-ness (t)	EAN code	Weight per 100 pc. kg
		mm/Inch	mm/Inch			
S	RTSDVSR 100	105/4,1		4,5	864102	212
S	RTSDVSR 200	205/8		4,5	864126	413
S	RTSDVSR 300	305/11,9		4,5	864140	655
S	RTSDVSR 400	405/15,8		4,5	864164	980
S	RTSDVSR 500	505/19,7		4,5	864171	1290
S	RTSDVSR 600	605/23,6		4,5	864195	1662

To be used for: cable tray horizontal tee for siderail height of 110 mm, type RTSS...

Other slip-resistant coatings available on request.



## Turn-bolt Lock

model no.	acc. incl.	EAN code	Weight per 100 pc. kg
E3 RDRS 2 E3	1 FLM 6x12 E3, 1 US M6 E3, 1 SM 6 E3	337606	1,5

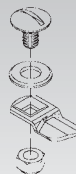
for subsequent or additional mounting to the cover

To be used for: Cover for Cable Tray Fitting RDSV 50 and RDSV 100

Outdoor usage requires additional securing against windloads etc. using ex. self tapping screws or steel cable ties.

Please maintain a minimum distance of 50 mm from both ends of the cover.

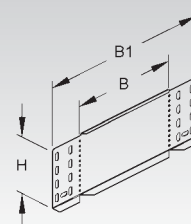
delivered as a kit (not assembled)



## Offset Reducing Splice Plate / Blind End

	model no.	height (H)	width B	width B1	acc. incl.	EAN code	Weight per 100 pc. kg
		mm/Inch	mm/Inch	mm/Inch			
S	RA 110.050	110/4,3	50/2	172	4 FLM 6x12	764105	15
S	RA 110.200	110/4,3	200/7,8	322	4 FLM 6x12	764402	31
S	RA 110.400	110/4,3	400/15,6	522	4 FLM 6x12	764808	52
S	RA 110.500	110/4,3	500/19,5	622	4 FLM 6x12	764907	62
S	RA 110.600	110/4,3	600/23,4	722	4 FLM 6x12	858606	73

To close a dead end of a cable tray or for joining cable trays of different width.

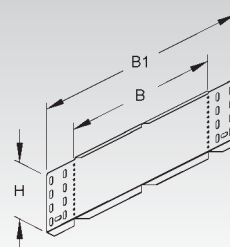


## Adjustable Horizontal Splice Plate / Blind

	model no.	height (H)	width B	width B1	acc. incl.	EAN code	Weight per 100 pc. kg
		mm/Inch	mm/Inch	mm/Inch			
S	RAW 110.100	110/4,3	100/3,9	222	4 FLM 6x12	764204	21
S	RAW 110.300	110/4,3	300/11,7	422	4 FLM 6x12	764600	41

to make horizontal bends

To close a dead end of a cable tray or for joining cable trays of different width.



# WALKABLE CABLE TRAY SYSTEM

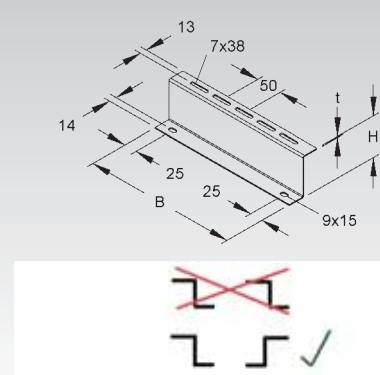
## Floor Mounting Bracket (height: 80 mm)

perforated

	model no.	height (H) mm/Inch	width B mm/Inch	thick-ness (t) mm/Inch	acc. incl.	EAN code	Weight per 100 pc. kg
S	RZP 80/100	80/3,1	100/3,9	2	2 FLM 6X12	191864	20
S	RZP 80/200	80/3,1	200/7,8	2	2 FLM 6X12	861200	41
S	RZP 80/300	80/3,1	300/11,7	2	2 FLM 6X12	861224	61
S	RZP 80/400	80/3,1	400/15,6	2	2 FLM 6X12	861248	82
S	RZP 80/500	80/3,1	500/19,5	2	2 FLM 6X12	861262	102
S	RZP 80/600	80/3,1	600/23,4	2	2 FLM 6X12	861286	122
S	RZP 80/1000	80/3,1	1000/39	2	3 FLM 6X12	861309	205
S	RZP 80/2000	80/3,1	2000/78	2	5 FLM 6X12	861323	411
S	RZP 80/3000	80/3,1	3000/117	2	7 FLM 6X12	861347	616

Alternate mounting of Z-shaped bracket is recommended.

The Z-shaped bracket can be used as a low cost floor mount device for cable trays.



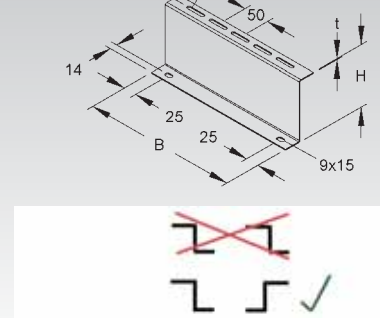
## Floor Mounting Bracket (height: 120 mm)

perforated

	model no.	height (H) mm/Inch	width B mm/Inch	thick-ness (t) mm/Inch	acc. incl.	EAN code	Weight per 100 pc. kg
S	RZP 120/100	120/4,7	100/3,9	2	2 FLM 6X12	861408	27
S	RZP 120/200	120/4,7	200/7,8	2	2 FLM 6X12	861422	54
S	RZP 120/300	120/4,7	300/11,7	2	2 FLM 6X12	861446	80
S	RZP 120/400	120/4,7	400/15,6	2	2 FLM 6X12	861460	110
S	RZP 120/500	120/4,7	500/19,5	2	2 FLM 6X12	861484	136
S	RZP 120/600	120/4,7	600/23,4	2	2 FLM 6X12	861507	163
S	RZP 120/1000	120/4,7	1000/39	2	3 FLM 6X12	861521	273
S	RZP 120/2000	120/4,7	2000/78	2	5 FLM 6X12	861545	546
S	RZP 120/3000	120/4,7	3000/117	2	7 FLM 6x12	861569	820

The Z-shaped bracket can be used as a low cost floor mount device for cable trays.

Alternate mounting of Z-shaped bracket is recommended.



## Floor Clamp

	model no.	length (A) mm/Inch	width B mm/Inch	thick-ness (t) mm/Inch	EAN code	Weight per 100 pc. kg
V	RZPBL 25.90	90/3,5	25/1	3	861583	5

for clamping of pre-installed floor mounting devices RZP...



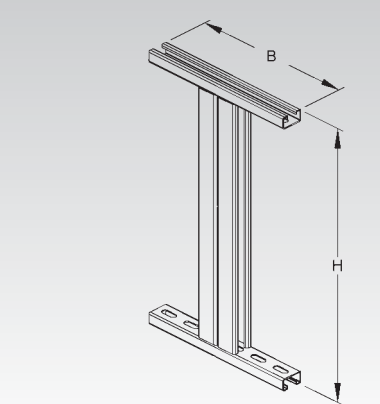
## Floor Support

symmetric

	model no.	height (H) mm/Inch	width B mm/Inch	acc. incl.	EAN code	Weight per 100 pc. kg
F	RSST 500.100	500/19,5	100/3,9	2 ZKUGM 6X30	872206	258
F	RSST 500.200	500/19,5	200/7,8	2 ZKUGM 6X30	872220	287
F	RSST 500.300	500/19,5	300/11,7	2 ZKUGM 6X30	872237	317
F	RSST 500.400	500/19,5	400/15,6	2 ZKUGM 6X30	872244	346
F	RSST 500.500	500/19,5	500/19,5	2 ZKUGM 6X30	872251	376
F	RSST 500.600	500/19,5	600/23,4	2 ZKUGM 6X30	872275	406

C-rail type 2986 (40x22x2 mm), perforated, slot size 11,5x30 mm, slot width 18 mm

C-rail type 2988 (40x40x2,5 mm) non-perforated, slot width 18 mm



### Floor Support

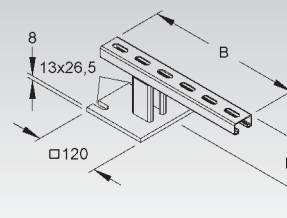
asymmetric, closed, perforated

model no.	height (H) mm/Inch	width B mm/Inch	acc. incl.	EAN code	Weight per 100 pc. kg
F RSSTA 100.100	100/3,9	100/3,9	2 FLM 6x12 F, 2 UGM 6	872305	125
F RSSTA 100.200	100/3,9	200/7,8	2 FLM 6x12 F, 2 UGM 6	872329	140
F RSSTA 100.300	100/3,9	300/11,7	2 FLM 6x12 F, 2 UGM 6	872336	154
F RSSTA 100.400	100/3,9	400/15,6	2 FLM 6x12 F, 2 UGM 6	872343	169
F RSSTA 100.500	100/3,9	500/19,5	2 FLM 6x12 F, 2 UGM 6	872350	184
F RSSTA 100.600	100/3,9	600/23,4	2 FLM 6x12 F, 2 UGM 6	872374	199

C-rail type 2986 (40x22x2 mm), perforated, slot size 11,5x30 mm, slot width 18 mm  
C-rail type 2988 (40x40x2,5 mm) non-perforated, slot width 18 mm



67



### Floor Support

asymmetric, closed, solid

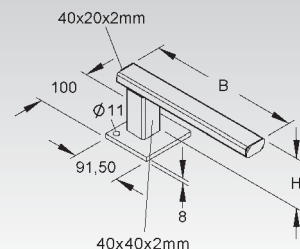
model no.	height (H) mm/Inch	width B mm/Inch	EAN code	Weight per 100 pc. kg
F RSSTAA 108.100	108/4,2	92/3,6	924288	95,7
F RSSTAA 108.200	108/4,2	192/7,5	924301	113,7
F RSSTAA 108.300	108/4,2	292/11,4	924325	131,8
F RSSTAA 108.400	108/4,2	392/15,3	924349	149,8
F RSSTAA 108.500	108/4,2	492/19,2	924363	167,5
F RSSTAA 108.600	108/4,2	592/23,1	924387	185,5

RHS (rectangular hollow section) 40x20x2 mm, solid.

Use extra bearing RSSTAAS 88 for the RSSTAA 500 + 600 type asymetrical floor support.



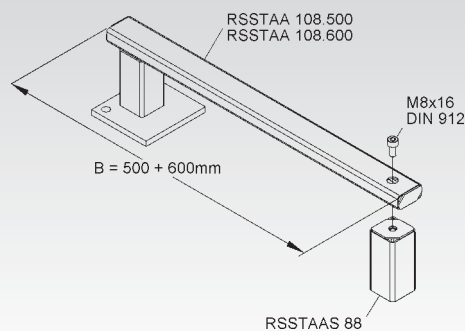
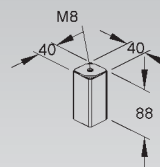
67



### Support Member

model no.	acc. incl.	EAN code	Weight per 100 pc. kg
★ F RSSTAAS 88	1 M 8x16	927241	

To be used for: optional bearing for the RSSTAA 500 + 600 type asymetrical floor support  
Support has to be ordered separately.



### Slotted Mushroom Head Bolt, similar to DIN 603 Standard

model no.	thread	length (A) mm/Inch	strength category	EAN code	Weight per 100 pc. kg
V FLM 6 X 12	M6	12/0,5	-	206209	0,8

electroplated finish, with serrated flange nut



# WALKABLE CABLE TRAY SYSTEM

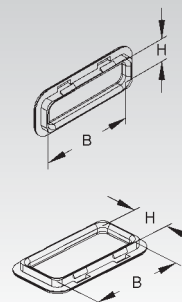
## Edge Protection Ring

model no.	inside dimension (H) mm/Inch	inside dimension (B) mm/Inch	convenient for mm/Inch	EAN code	Weight per 100 pc. kg
K03 <b>KSR 20</b>	14,5	58	20 x 65 mm	258703	0,5
K03 <b>KSR 30</b>	24	58	30 x 65 mm	258802	0,5

to protect cables against damages at the dropouts of tray or surface metal raceway

**To prevent accidents and injuries you must install the edge protection ring.**

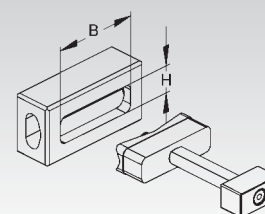
To be used for: distribution cable tray RSV 50..., industrial surface metal raceway and for edge protection of punched square holes using BL 20/30.65



## Plate Punching Machine

model no.	height (H) mm/Inch	width B mm/Inch	EAN code	Weight per 100 pc. kg
B <b>BL 20.65</b>	20/0,8	65/2,5	872121	108
B <b>BL 30.65</b>	30/1,2	65/2,5	872145	108

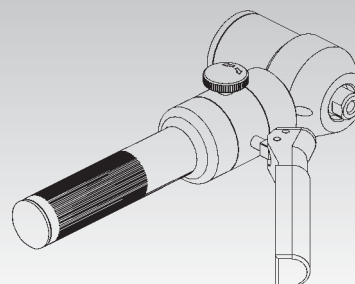
for onsite punching of 20x65 mm or 30x65 mm square holes as cable dropouts into tray. Corresponding edge protection rings are required.



## Hydraulic Tool

model no.	height (H) mm/Inch	length (A) mm/Inch	EAN code	Weight per 100 pc. kg
<b>HHA 90</b>	112/4,4	295/11,5	872169	355

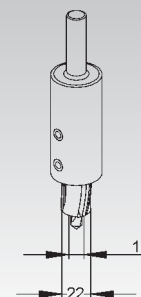
especially for metal punching tool type 20.65 and 30.65

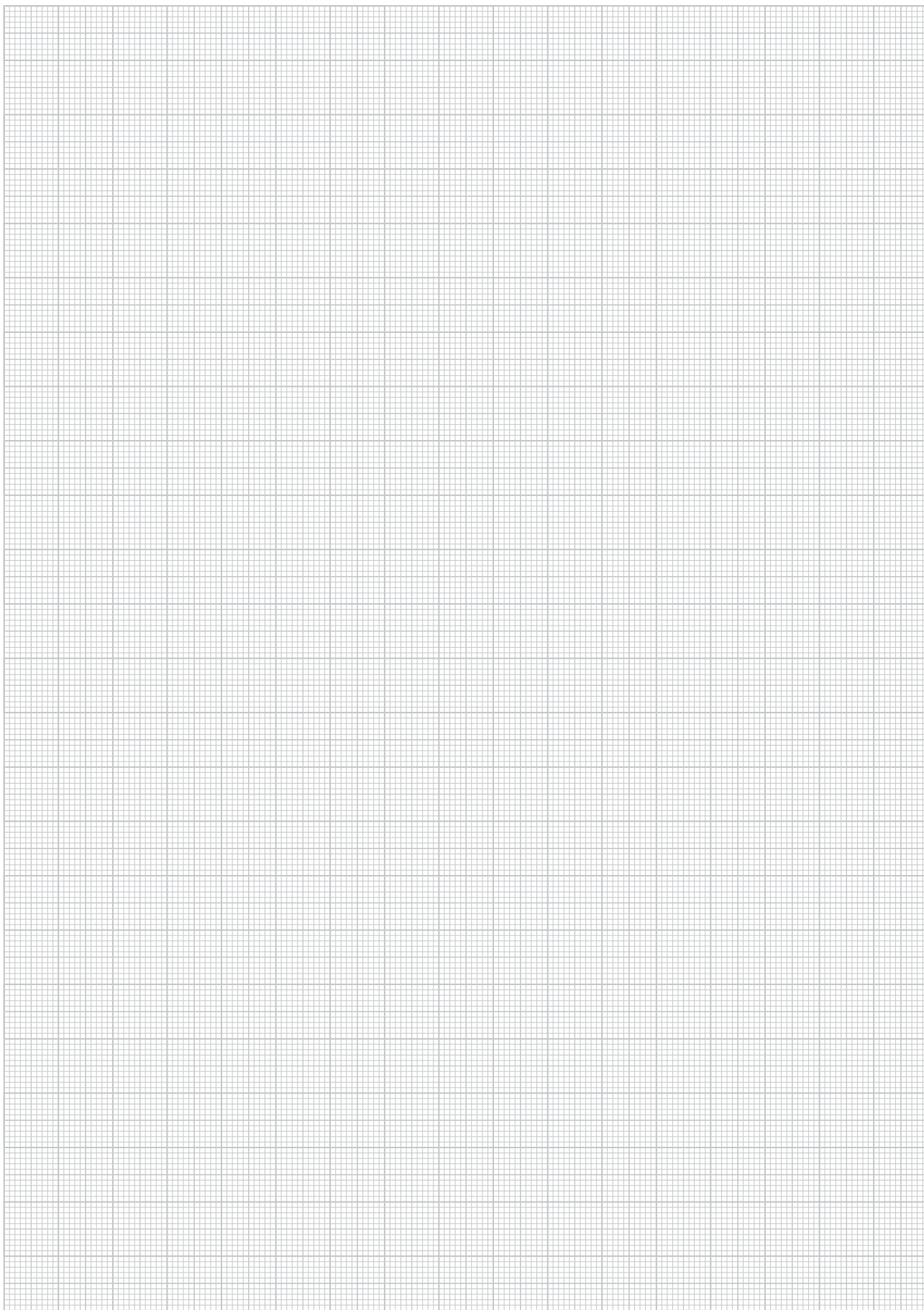


## Step Drill for Covers

model no.	height (H) mm/Inch	EAN code	Weight per 100 pc. kg
B <b>SB 10.23</b>	170/6,6	872107	70

for onsite installation of turnbolt locks. The drilling into the steel cover and the countersinking of the aluminum checker blade can be done in one step.





2025/01/17